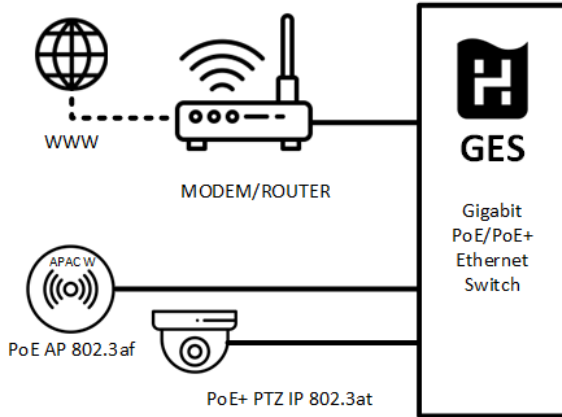


## 7 GES WITH PoE/PoE+



- PoE/PoE+ ports can also connect to non-PoE devices but only transmit data.
- The Power LED should be lit when the GES is working normally.

## 8 SAFETY INSTRUCTIONS



To prevent personal injury and property damage and to ensure long-term operation of the GES, read this section carefully and observe all safety information.

- Switch off the mains voltage before installation.
- Connection to a different power source than those specified, may result in improper operation and will damage the GES.
- This GES is intended for indoor use only.
- Use this GES only with original accessories.
- Do not cover or block the airflow of the GES.
- Do not place anything on top of the GES.
- Do not use this GES in location that can be submerged by water.
- Do not open the GES, there are no operator serviceable parts inside this equipment.
- Take appropriate measures to protect against all types of unauthorized access to your network.

## 9 LIMITED WARRANTY

The limited warranty is valid for a period in accordance with applicable national law from the date of purchase by the end-user. The limited warranty applies only if the product has been properly installed and used in accordance with the guidelines. Hirschmann Multimedia warrants that the GES is free from defects in material and workmanship under normal use and operation. The warranty does not apply if the GES has been damaged due to faults or defects in wiring; has been subjected to misuse, abuse, negligence, abnormal physical, electromagnetic or electrical stress, including lightning strikes, or accidents; has been altered and/or modified. Hirschmann Multimedia can only replace a defective GES with a GES of the same or similar type. Hirschmann Multimedia will not reimburse shipping costs or refunds for a defective GES returned for replacement. For replacement or repair of a GES, a Return Materials Authorisation (RMA) number must always be provided by Hirschmann Multimedia. Products without an RMA number will not be processed. Hirschmann Multimedia is entitled to refuse warranty if proof of the relevant purchase invoice and serial number of the GES cannot be presented.



## QUICK START GUIDE

# GES SERIES

## Gigabit Ethernet Switches

### Hirschmann Multimedia

Pampuslaan 170  
1382 JS - Weesp  
The Netherlands

<https://www.hirschmann-multimedia.com/>



## 1 ONLINE

Scan the QR code for the latest version of the manual.

<http://hm2.eu/ges>



## 2 INTRODUCTION

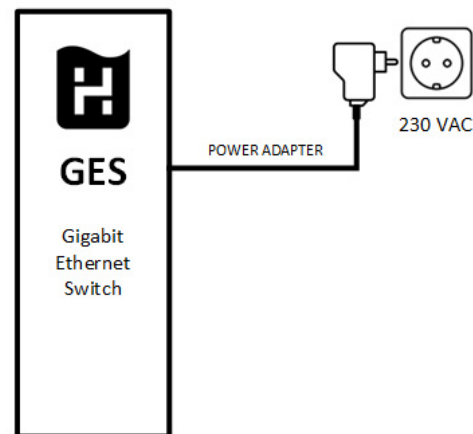
Thank you for purchasing the Hirschmann Multimedia Gigabit Ethernet Switch. This Quick Start Guide is designed to guide you through the installation and also includes the warranty terms.

## 3 EUROPEAN CONFORMITY



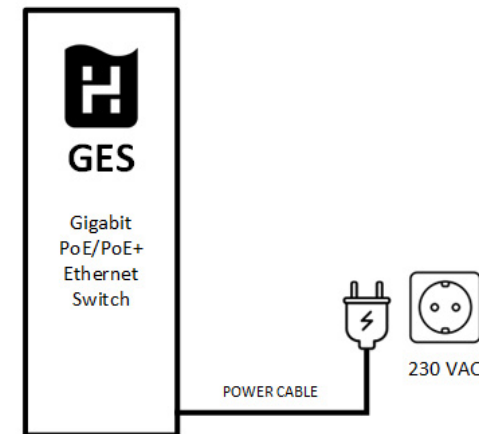
The GES Series (Gigabit Ethernet Switches), conforms to all applicable regulations and directives of European Union.

## 4 GES WITH POWER ADAPTER



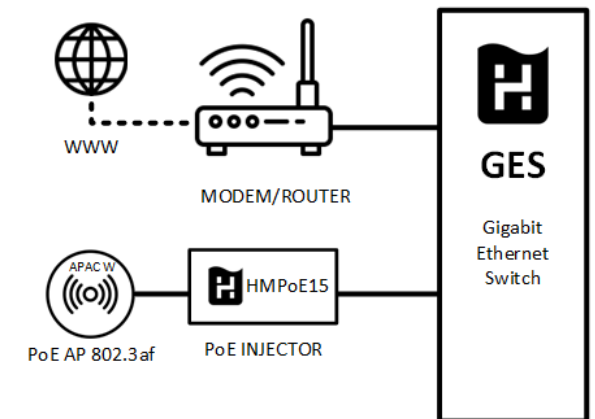
- Check that the voltage and current of the power adapter meet the requirements of the GES.

## 5 GES WITH POWER CABLE



- Check that the power cord of the GES is properly connected to power source.

## 6 GES WITHOUT PoE/PoE+



- Check that the cables are properly connected to the GES and the connected devices.
- The Power LED should be lit when the GES is working normally.